




 OPENERS
& CLOSERS

 OPENERS
& CLOSERS

 OPENERS
& CLOSERS

 OPENERS
& CLOSERS

FACEPLATES

Faceplates fasten, embellish, protect electric doors and strikes.

Our selection of faceplates adds a touch of design, allowing you to choose from a wide range of shapes and colors.

FACEPLATES



PERSONALIZE

We can create different shapes or hole positions to **personalize your ideal faceplate**. Contact us and we will advise you to choose the one that best suits your needs.

LASER

We can **laser print your logo** on the faceplate. For this option add the **letter L** after the color category. If you wish the logo to be on both sides add the **letter R**.

Easy coding!

Model	+	Color						+	Laser print		
	+	Usual colors					Special colors (choose RAL) 				Reversible
		Brown	Inox	Grey	Black	White					
		B	X	Z	K	W					
						S	-	L	R		

Additional given information

DIN 107	Recommended series

Category	Model	B	X	Z	K	W	S	L	R	DIN 107	Recommended series
BOX FACEPLATE	B09	B	X	Z	K	W	S	-	-	DIN R	2S 3 4 5 7 9 25
	B10	B	X	Z	K	W	S	-	-	DIN L	2S 3 4 5 7 9 25
	B11	B	X	Z	K	W	S	-	-	DIN R	2S 3 4 5 7 9 25
	B12	B	X	Z	K	W	S	-	-	DIN L	2S 3 4 5 7 9 25
	B81	B	X	Z	K	W	S	-	L R	REVERSIBLE	2 3 4 5 7 9 25
	B84	B	X	Z	K	W	S	-	L R	REVERSIBLE	2 3 4 5 7 9 25
	B86	B	X	G	K	W	S	-	L R	REVERSIBLE	2 3 4A 5 7 9 25
	B87	B	X	G	K	W	S	-	L R	REVERSIBLE	2 3 4A 5 7 9 25
SHORT FACEPLATE	S01	B	X	Z	K	W	S	-	L R	REVERSIBLE	2 3 4 5 7 9 25
	S02	B	X	Z	K	W	S	-	L R	REVERSIBLE	2 3 4 5 7 9 25
	S27	B	X	Z	K	W	S	-	L R	REVERSIBLE	2 3 4 5 7 9 25
	S28	B	X	Z	K	W	S	-	L R	REVERSIBLE	2 3 4 5 7 9 25
	S66	B	X	Z	K	W	S	-	L R	REVERSIBLE	2 3 4 5 7 9 25
	S76	B	X	Z	K	W	S	-	L R	REVERSIBLE	2 3 4 5 7 9 25
	S80	B	X	Z	K	W	S	-	L R	REVERSIBLE	2 3 4 5 7 9 25
	S92	B	X	Z	K	W	S	-	L R	REVERSIBLE	2 3 4 5 7 9 25
	S94	B	X	Z	K	W	S	-	L R	REVERSIBLE	2 3 4 5 7 9 25
	S95	B	X	Z	K	W	S	-	L R	REVERSIBLE	2 3 4 5 7 9 25
	S96	B	X	Z	K	W	S	-	L R	REVERSIBLE	2 3 4 5 7 9 25
	ANGLED FACEPLATE	A08	B	X	Z	K	W	S	-	L -	DIN R
A09		B	X	Z	K	W	S	-	L -	DIN L	2 3 4 5 7 9 25
A10		B	X	Z	K	W	S	-	L -	DIN R	2 3 4 5 7 9 25
A11		B	X	Z	K	W	S	-	L -	DIN L	2 3 4 5 7 9 25
A12		B	X	Z	K	W	S	-	L -	DIN R	2 3 4 5 7 9 25
A13		B	X	Z	K	W	S	-	L -	DIN L	2 3 4 5 7 9 25
A14		B	X	Z	K	W	S	-	L -	DIN R	2 3 4 5 7 9 25
A15		B	X	Z	K	W	S	-	L -	DIN L	2 3 4 5 7 9 25
A16		B	X	Z	K	W	S	-	L R	REVERSIBLE	2 3 4 5 7 9 25
A17		B	X	Z	K	W	S	-	L R	REVERSIBLE	2 3 4 5 7 9 25
A24		B	X	Z	K	W	S	-	L -	DIN R	2 3 4 5 7 9 25
A25		B	X	Z	K	W	S	-	L -	DIN L	2 3 4 5 7 9 25
A44		B	X	Z	K	W	S	-	L -	DIN R	2 3 4 5 7 9 25
A45		B	X	Z	K	W	S	-	L -	DIN R	2 3 4 5 7 9 25
A47		B	X	Z	K	W	S	-	L -	DIN L	2 3 4 5 7 9 25
A48		B	X	Z	K	W	S	-	L -	DIN L	2 3 4 5 7 9 25
A49		B	X	Z	K	W	S	-	L -	DIN L	2 3 4 5 7 9 25
A50		B	X	Z	K	W	S	-	L -	DIN R	2 3 4 5 7 9 25
LONG FACEPLATE	L03	B	X	Z	K	W	S	-	L R	REVERSIBLE	2 3 4 5 7 9 25
	LC3	B	X	Z	K	W	S	-	L R	REVERSIBLE	2 3 4 5 7 9 25
	LD3	B	X	Z	K	W	S	-	L R	REVERSIBLE	2 3 4 5 7 9 25
	L04	B	X	Z	K	W	S	-	L R	REVERSIBLE	2 3 4 5 7 9 25
	LC4	B	X	Z	K	W	S	-	L R	REVERSIBLE	2 3 4 5 7 9 25
	LD4	B	X	Z	K	W	S	-	L R	REVERSIBLE	2 3 4 5 7 9 25
	L05	B	X	Z	K	W	S	-	L R	REVERSIBLE	2 3 4 5 7 9 25
	LC5	B	X	Z	K	W	S	-	L R	REVERSIBLE	2 3 4 5 7 9 25
	LD5	B	X	Z	K	W	S	-	L R	REVERSIBLE	2 3 4 5 7 9 25
	L20	B	X	Z	K	W	S	-	L -	DIN R	2 3 4 5 7 9 25
	L21	B	X	Z	K	W	S	-	L -	DIN L	2 3 4 5 7 9 25
	L22	B	X	Z	K	W	S	-	L -	DIN R	2 3 4 5 7 9 25
	L23	B	X	Z	K	W	S	-	L -	DIN L	2 3 4 5 7 9 25
	L26	B	X	Z	K	W	S	-	L R	REVERSIBLE	2 3 4 5 7 9 25
	L29	B	X	Z	K	W	S	-	L R	REVERSIBLE	2 3 4 5 7 9 25
	L30	B	X	Z	K	W	S	-	L R	REVERSIBLE	2 3 4 5 7 9 25
	L38	B	X	Z	K	W	S	-	L R	REVERSIBLE	2 3 4 5 7 9 25
	L39	B	X	Z	K	W	S	-	L R	REVERSIBLE	2 3 4 5 7 9 25
L43	B	X	Z	K	W	S	-	L R	REVERSIBLE	2 3 4 5 7 9 25	
LC43	B	X	Z	K	W	S	-	L R	REVERSIBLE	2 3 4 5 7 9 25	
LD43	B	X	Z	K	W	S	-	L R	REVERSIBLE	2 3 4 5 7 9 25	
L60	B	X	Z	K	W	S	-	L R	REVERSIBLE	2 3 4 5 7 9 25	
L67	B	X	Z	K	W	S	-	L R	REVERSIBLE	2 3 4 5 7 9 25	
L68	B	X	Z	K	W	S	-	L R	REVERSIBLE	2 3 4 5 7 9 25	
L69	B	X	Z	K	W	S	-	L R	REVERSIBLE	2 3 4 5 7 9 25	
L70	B	X	Z	K	W	S	-	L R	REVERSIBLE	2 3 4 5 7 9 25	
L71	B	X	Z	K	W	S	-	L R	REVERSIBLE	2 3 4 5 7 9 25	
L72	B	X	Z	K	W	S	-	L R	REVERSIBLE	2 3 4 5 7 9 25	
L73	B	X	Z	K	W	S	-	L -	DIN R	2 3 4 5 7 9 25	
L74	B	X	Z	K	W	S	-	L -	DIN L	2 3 4 5 7 9 25	
L75	B	X	Z	K	W	S	-	L R	REVERSIBLE	2 3 4 5 7 9 25	
L79	B	X	Z	K	W	S	-	L R	REVERSIBLE	2 3 4 5 7 9 25	
L94	B	X	Z	K	W	S	-	L R	REVERSIBLE	2 3 4 5 7 9 25	
L95	B	X	Z	K	W	S	-	L R	REVERSIBLE	2 3 4 5 7 9 25	
L96	B	X	Z	K	W	S	-	L R	REVERSIBLE	2 3 4 5 7 9 25	

Standard holes

L03
L04
L05
L43



Centered holes

LC3
LC4
LC5
LC43



Diagonal holes

LD3
LD4
LD5
LD43

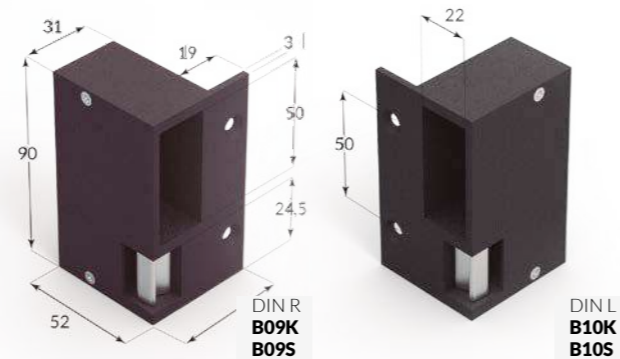


Reference example:
Model + Color + Laser (optional)

L03X
LC3ZL

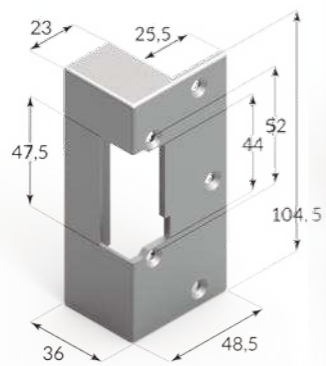
BOX

SHORT

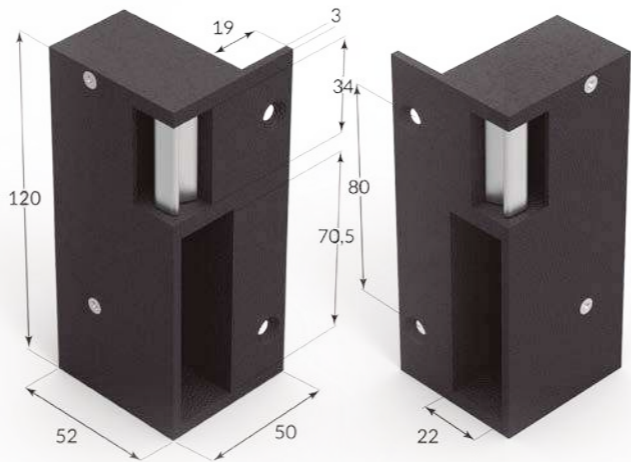


DIN R
B09K
B09S

DIN L
B10K
B10S

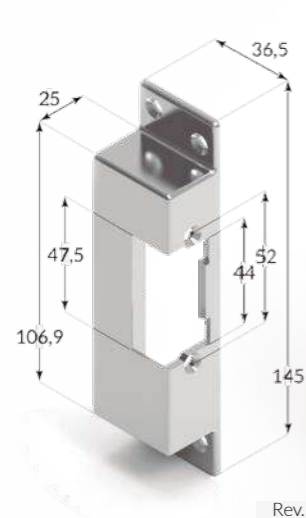


Rev.
B81B
B81Z
B81K
B81W
B81S

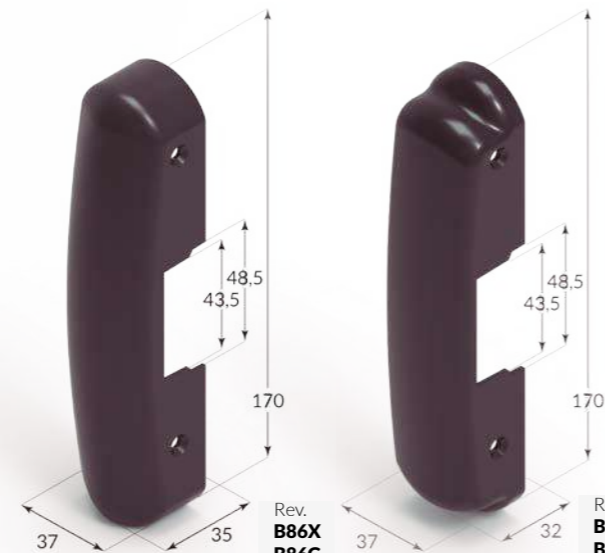


DIN R
B11K
B11S

DIN L
B12K
B12S

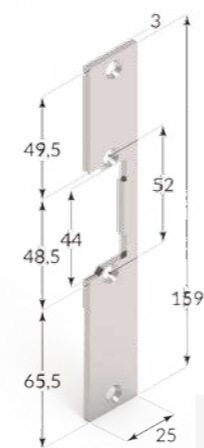


Rev.
B84B
B84Z
B84K
B84W
B84S

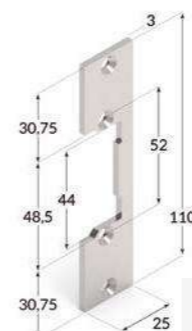


Rev.
B86X
B86G
B86K
B86W
B86S

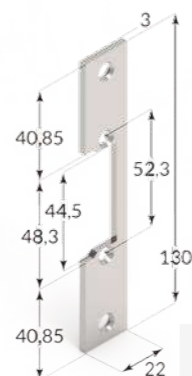
Rev.
B87X
B87G
B87K
B87W
B87S



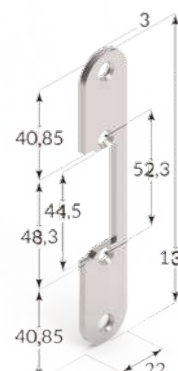
Rev.
S01B
S01X
S01Z
S01K
S01W
S01S



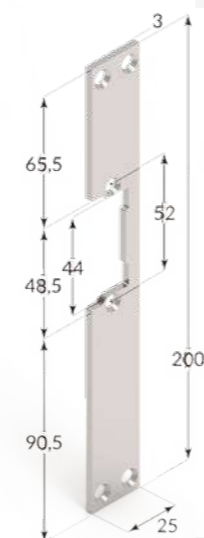
Rev.
S02B
S02X
S02Z
S02K
S02W
S02S



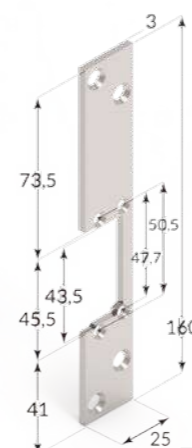
Rev.
S27X



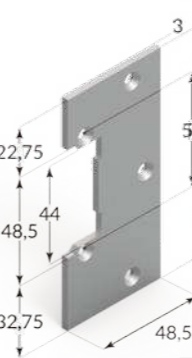
Rev.
S28X



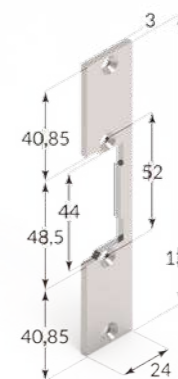
Rev.
S66X



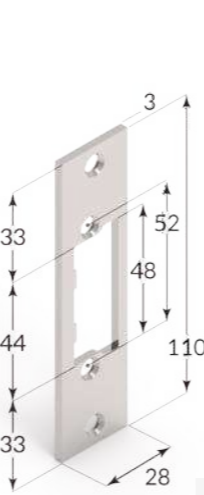
Rev.
S76X



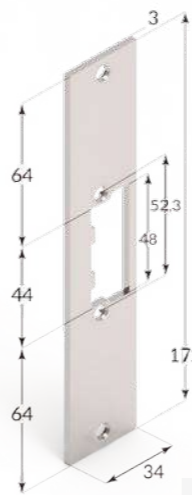
Rev.
S80B
S80Z
S80K
S80W
S80S



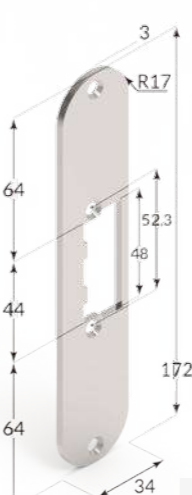
Rev.
S92X



Rev.
S94X



Rev.
S95X



Rev.
S96X

B. Brown
X. Inox
Z. Grey
K. Black
W. White
S. Special color



For more information consult Series 4

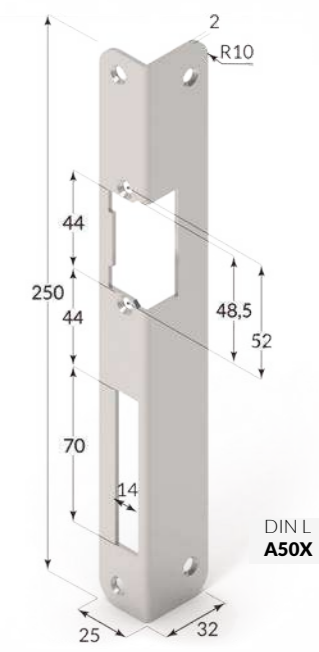
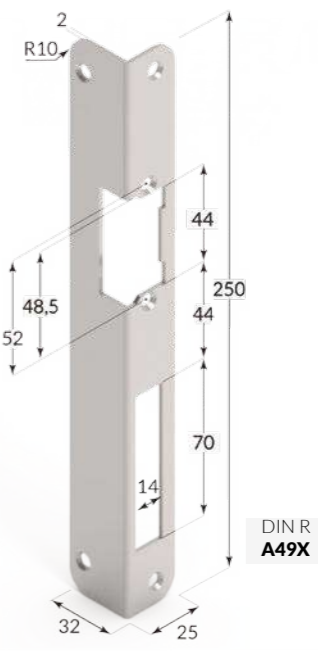
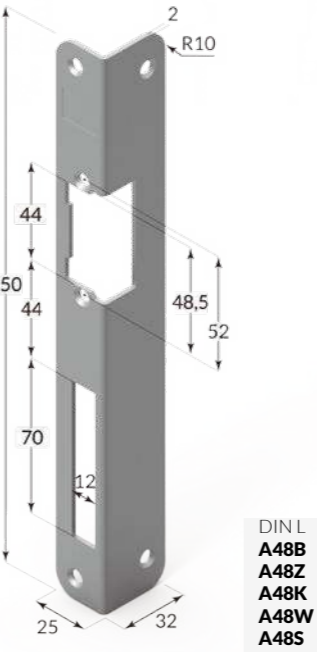
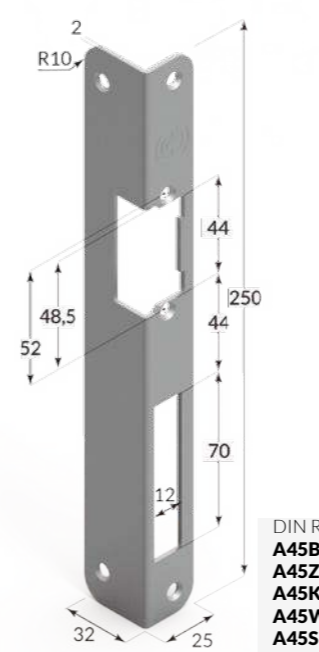
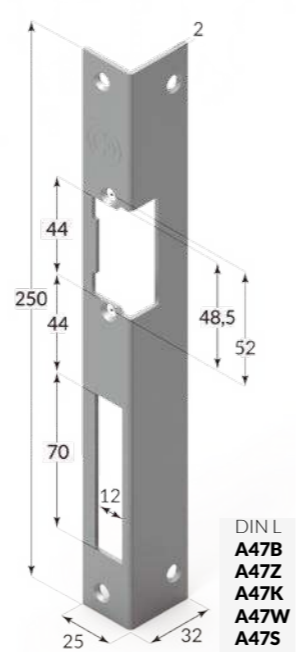
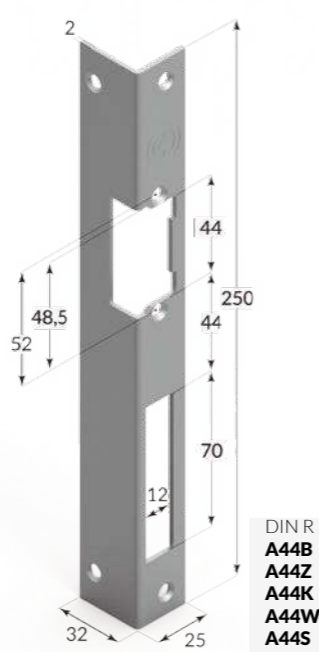
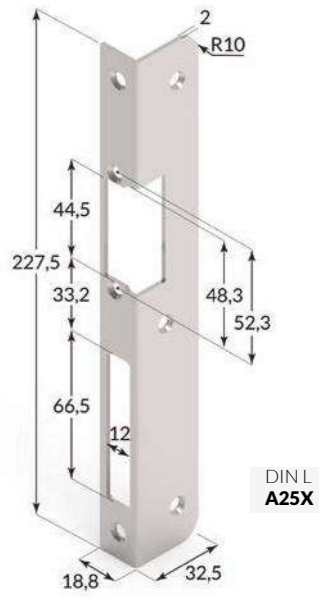
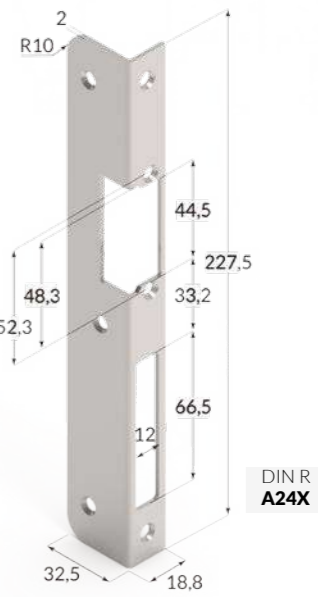
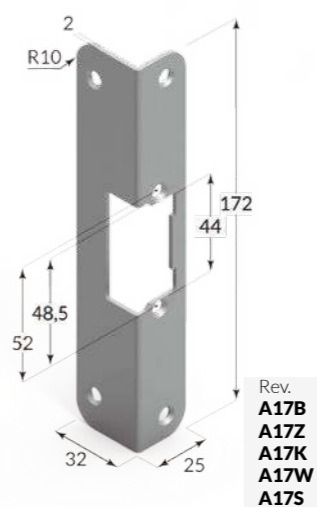
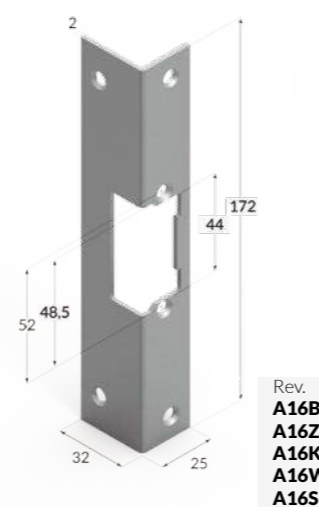
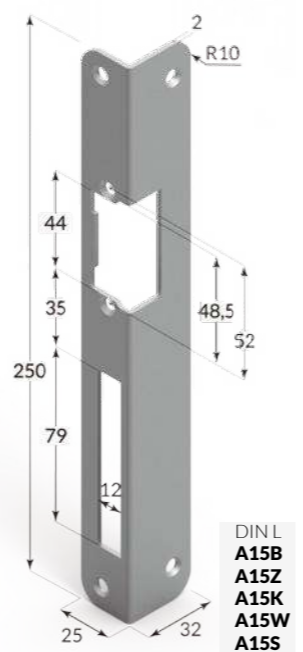
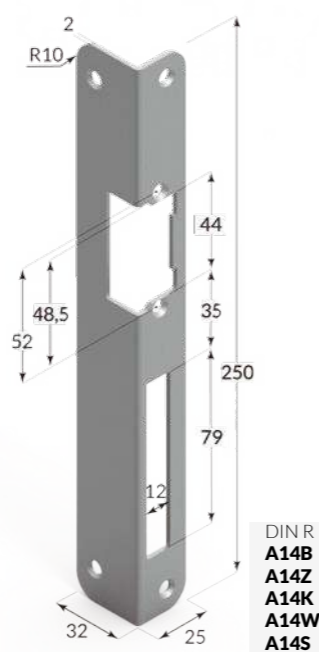
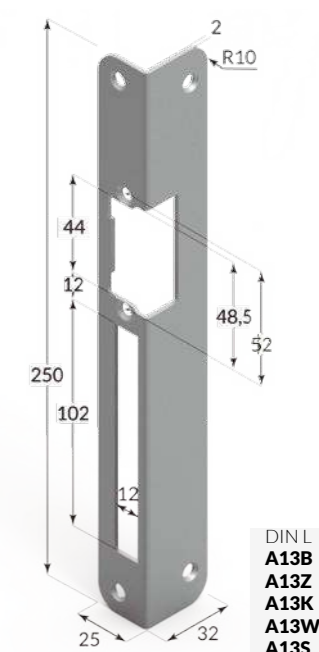
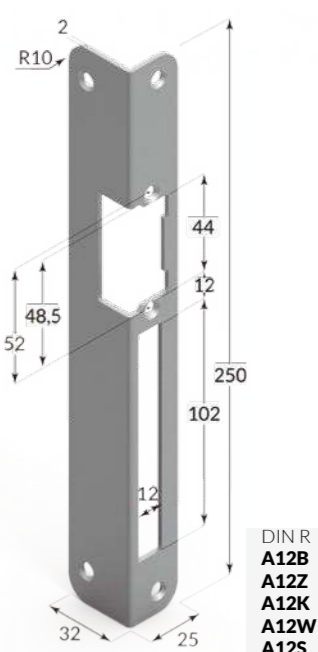
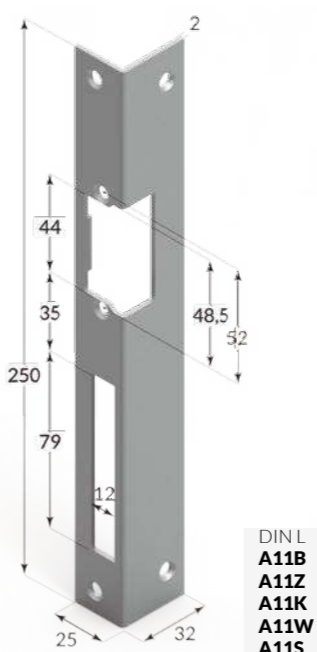
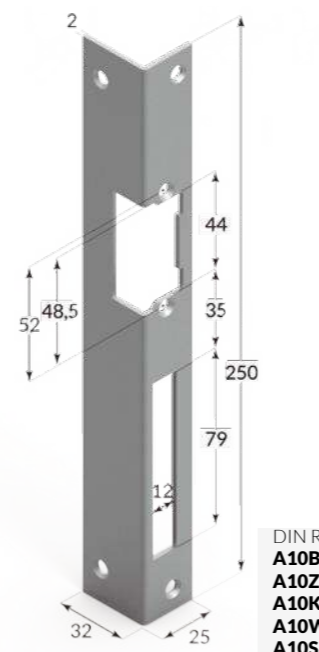
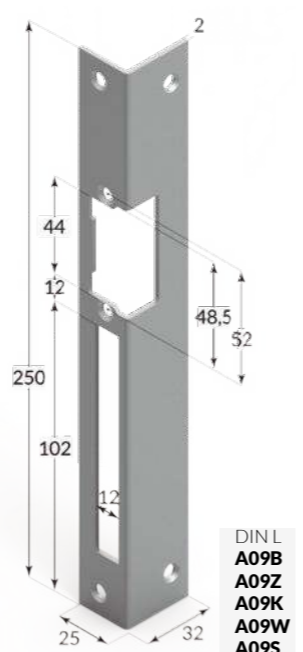
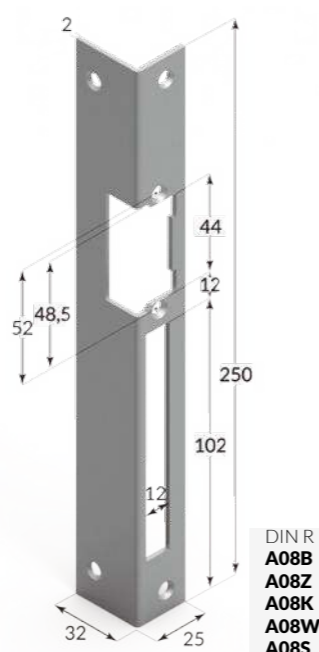
● Thickness
C36
& units
included

FACEPLATES

BOX AND SHORT



ANGLED



B. Brown
X. Inox
Z. Grey
K. Black
W. White
S. Special color

FACEPLATES
ANGLED

LONG

- B.** Brown
- X.** Inox
- Z.** Grey
- K.** Black
- W.** White
- S.** Special color

Standard

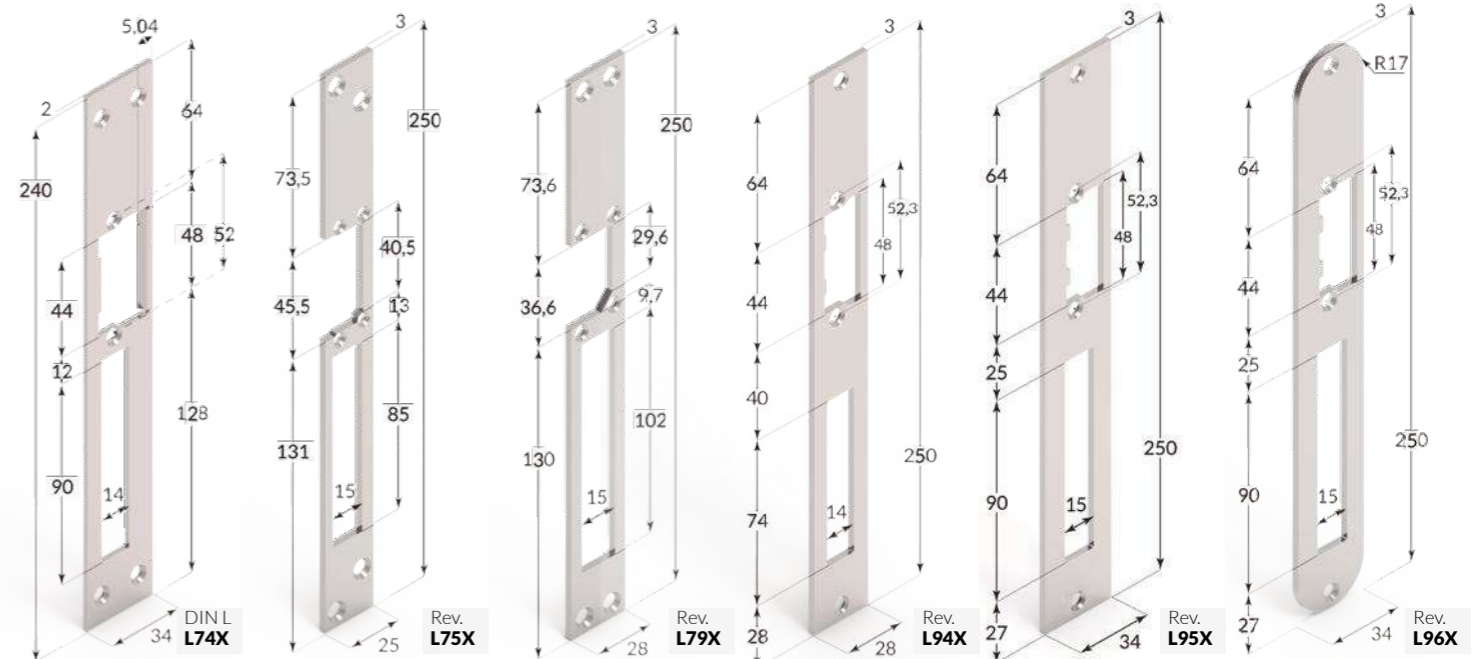
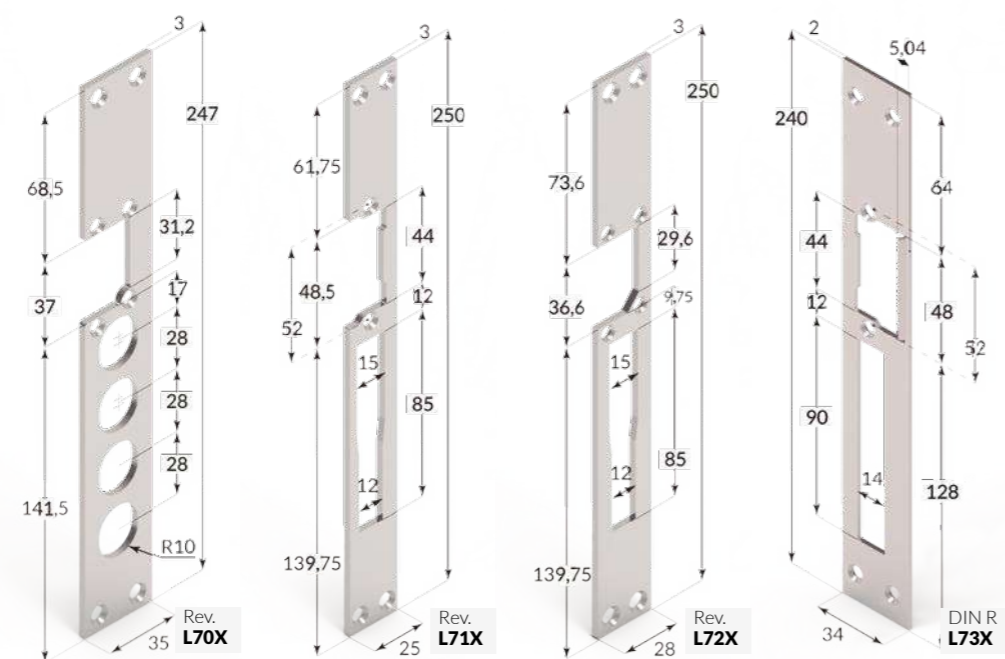
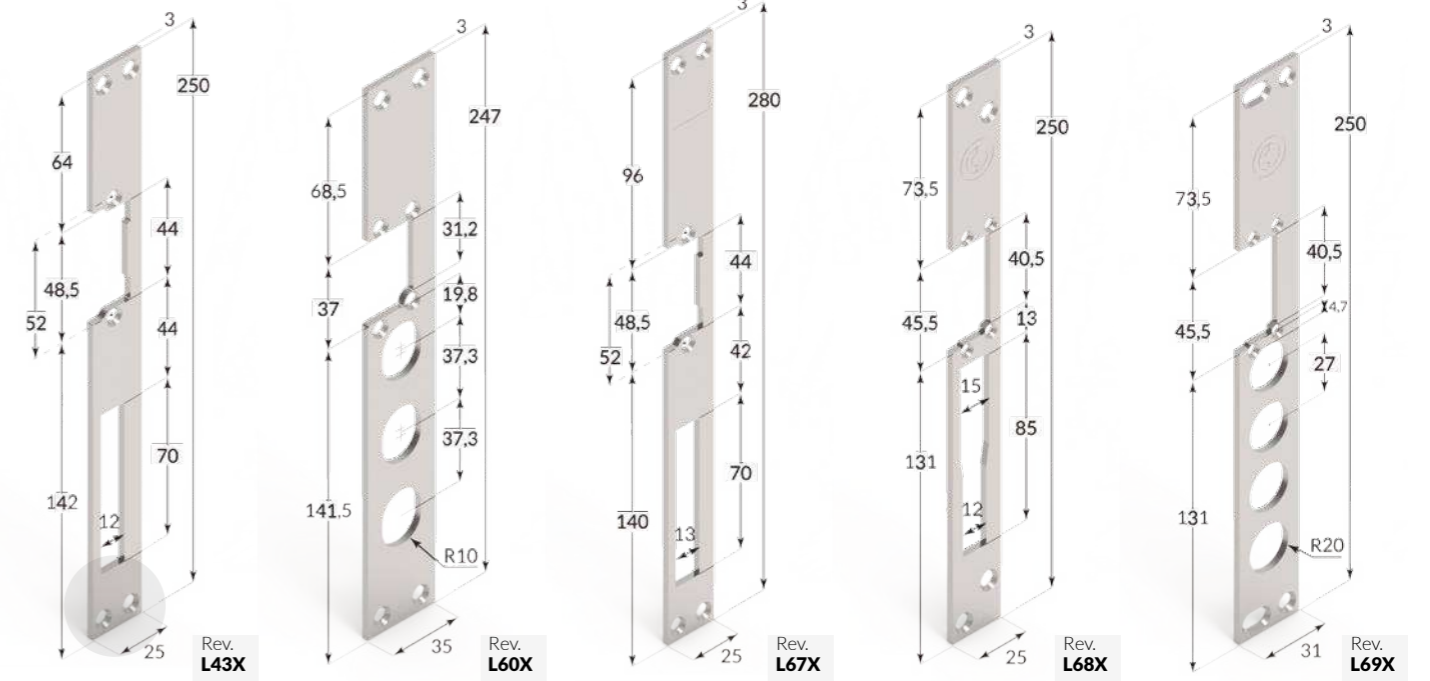
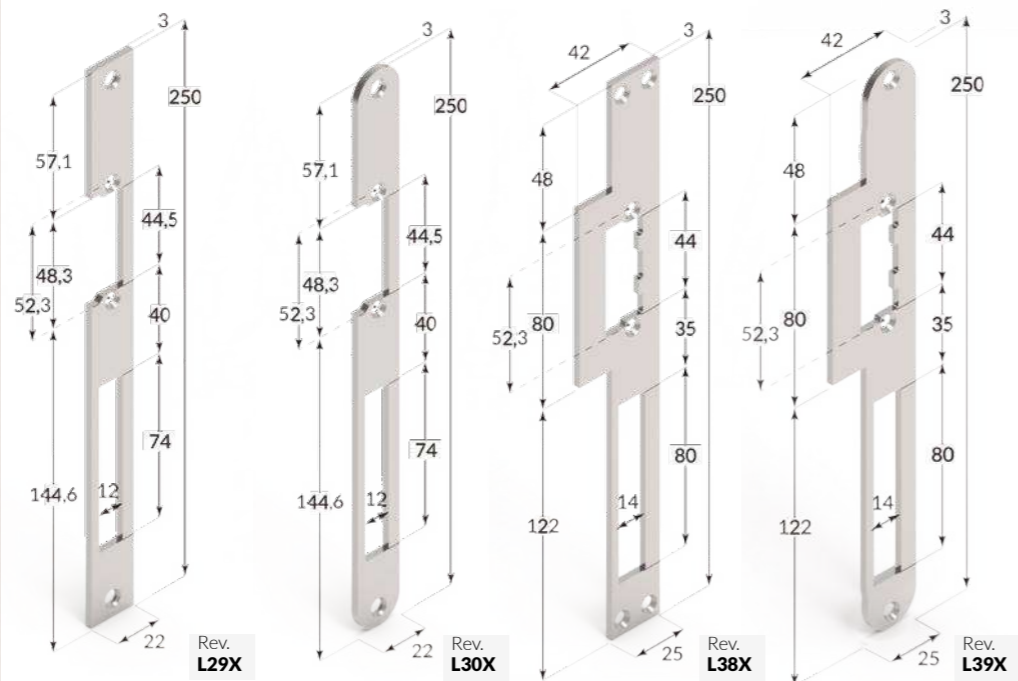
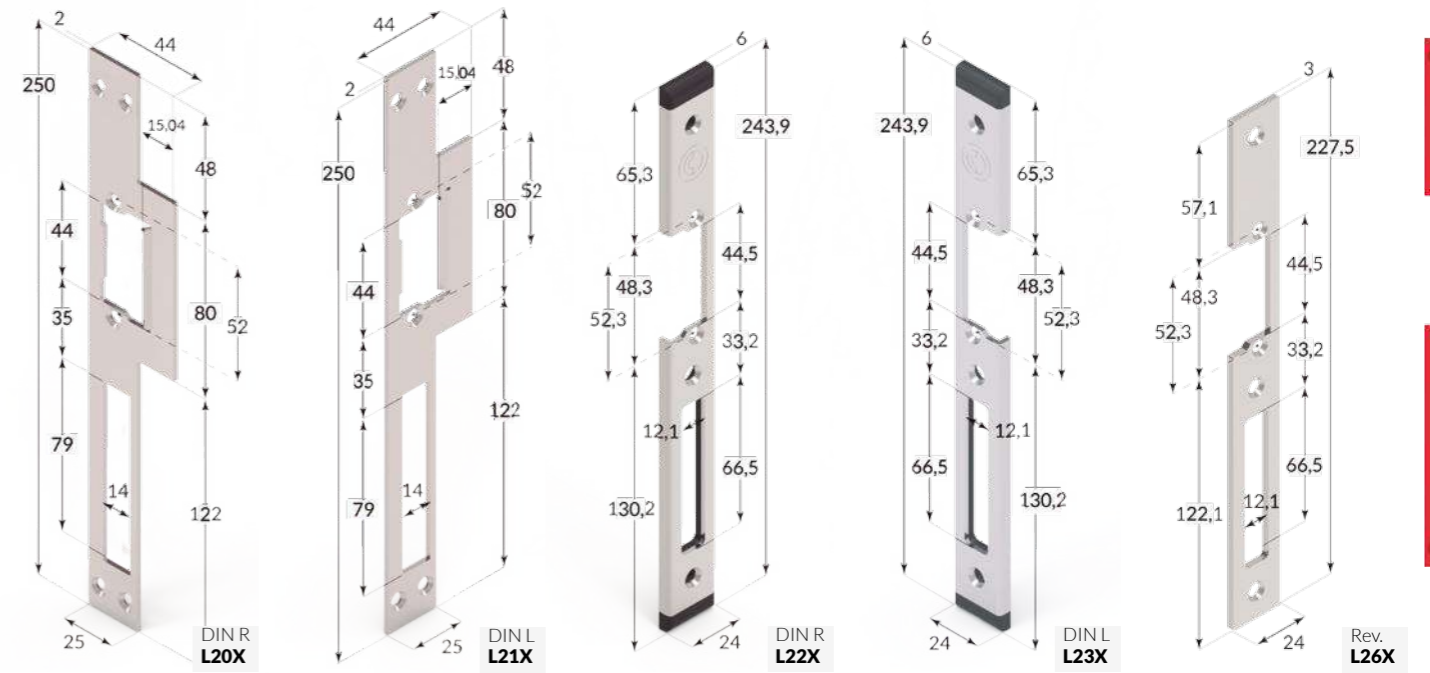
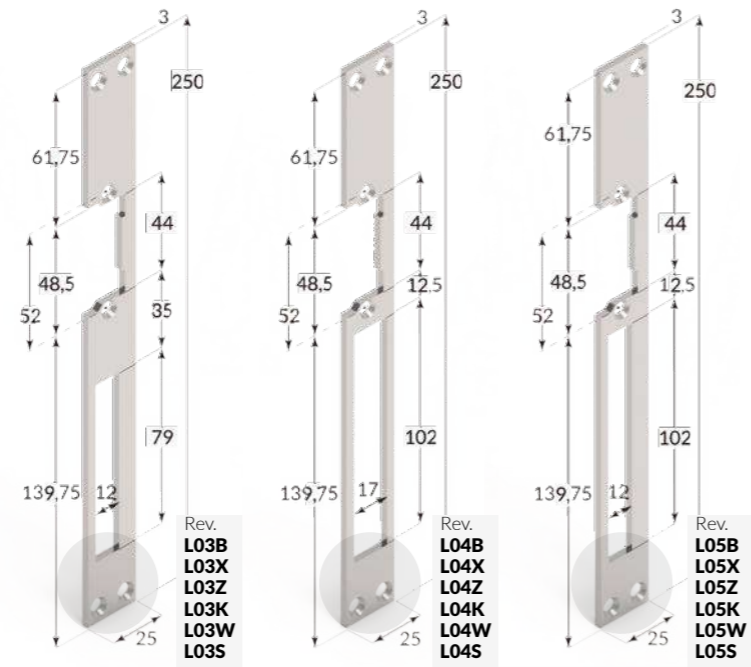
- L03**
- L04**
- L05**
- L43**

Centered

- LC3**
- LC4**
- LC5**
- LC43**

Diagonal

- LD3**
- LD4**
- LD5**
- LD43**



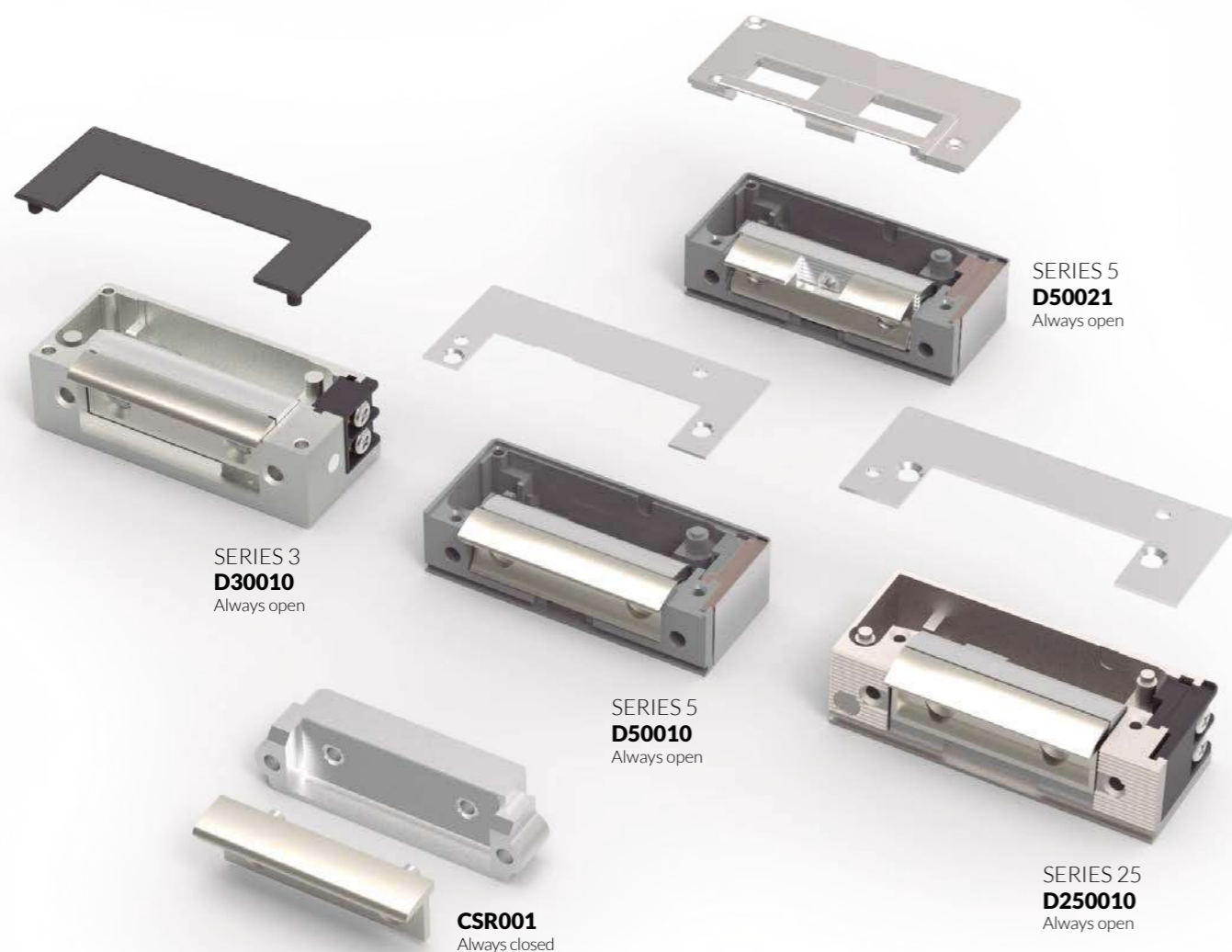
FACEPLATES
LONG

DUMMIES

Don't be a dummy, protect your installation

Mechanical electric strike

Dummies are often used during construction work for building safety. They are used to keep doors closed or grant easy access to areas that are under construction. This will avoid valuable electric strikes deterioration or theft of materials.



SERIES 3
D30010
Always open

SERIES 5
D50021
Always open

SERIES 5
D50010
Always open

SERIES 25
D250010
Always open

CSR001
Always closed

PERSONALIZE

We can customize the mechanical models by choosing the Keeper (K) and the Cover (C) that suits you best. Consult the page of the ITEM NUMBERS AND FEATURES of each series.

SERIES 3
D30010
D300(K)(C)

SERIES 5
D50010
D500(K)(C)

SERIES 25
D250010

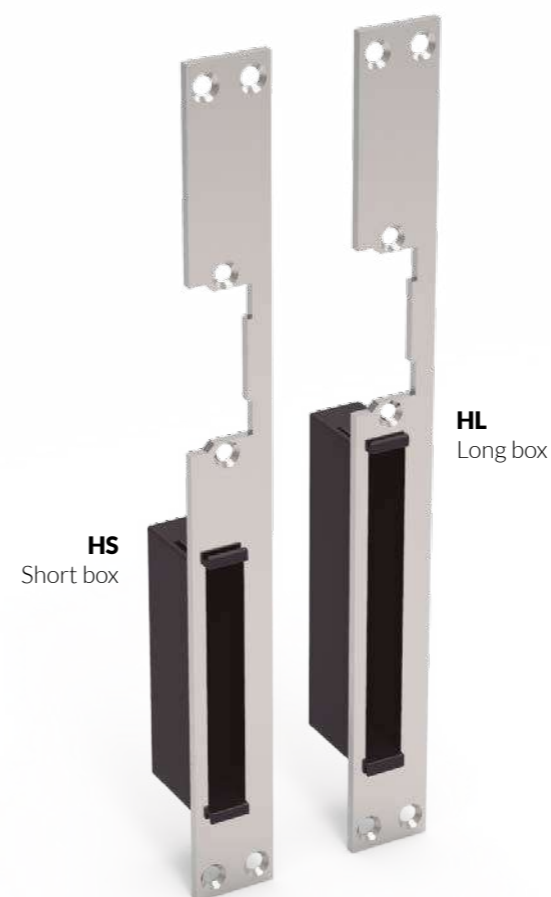
COMPLEMENTS

BLACK BOX

The importance of the details

Groove embellisher

A black box is an elegant solution to limit the holding place of the bolts. It goes installed behind the faceplate hiding the ugly insides of the door leaf from sight.



HS
Short box

HL
Long box



ELECTROMAGNETIC LOCKS

Electromagnetic locks or maglocks consist of a powerful electromagnet mounted on the door frame and a counterplate mounted on the door. Once activated the electromagnet holds fast to the counterplate and the door remains closed. Two LED's informs at a glance whether the electromagnetic lock is open or closed.

Maglocks are popular among our customers for its effortless installation, durability and trustworthiness. At O&C we offer a vast range of maglocks in different sizes, voltages, mountings and holding forces to best suit your needs.