



**Network Camera
Technical Manual**

Notices

The information in this documentation is subject to change without notice and does not represent any commitment on behalf of HIKVISION. HIKVISION disclaims any liability whatsoever for incorrect data that may appear in this documentation. The product(s) described in this documentation are furnished subject to a license and may only be used in accordance with the terms and conditions of such license.

Copyright © 2006-2010 by HIKVISION. All rights reserved.

This documentation is issued in strict confidence and is to be used only for the purposes for which it is supplied. It may not be reproduced in whole or in part, in any form, or by any means or be used for any other purpose without prior written consent of HIKVISION and then only on the condition that this notice is included in any such reproduction. No information as to the contents or subject matter of this documentation, or any part thereof, or arising directly or indirectly therefrom, shall be given orally or in writing or shall be communicated in any manner whatsoever to any third party being an individual, firm, or company or any employee thereof without the prior written consent of HIKVISION. Use of this product is subject to acceptance of the HIKVISION agreement required to use this product. HIKVISION reserves the right to make changes to its products as circumstances may warrant, without notice.

This documentation is provided “as-is,” without warranty of any kind.

Please send any comments regarding the documentation to:

overseabusiness@hikvision.com

Find out more about HIKVISION at www.hikvision.com

DS-2CD854F-E(W)



Key Features

- Maximum Resolution up to 3 mega, real-time video at Full HD 1080P
- Adopt advanced video compression with high compression ratio
- Progressive scan CMOS, capture motion video without sawtooth
- Support SD/SDHC card local storage
- Support two-way audio
- Support PoE power supply
- Support auto iris, Shutter Time for different environment
- Local analog video output, convenient for adjustment and installation
- Support dual streams, and the sub stream used for the mobile phone surveillance
- Complete function: heartbeat, PTZ control, alarm, initial set button and so on

Specification

Model	DS-2CD854F-E(W)
Parameter	3 Megapixel 1/2.5" CMOS ICR Day&Night Network Box Camera
Camera	
Image Sensor	1/2.5" Progressive Scan CMOS
Min. Illumination	Color: 0.6 Lux @ (F1.2,AGC ON) B / W: 0.08Lux @ (F1.2,AGC ON)
Shutter Time	1/25s -1/100,000s
Lens Mount	C/CS mount
Auto Iris	DC Drive

Day & Night	IR cut filter
Compression Standard	
Video Compression	H.264/MJpeg
Bit rate	32 Kbps-16Mbps
Audio Compression	G .711(G.722.1 optional)
Dual Stream	Yes
Image	
Max. Image Resolution	2048×1536
Frame Rate	50Hz:12.5fps (2048×1536),25fps (1920 × 1080),25fps (1600 × 1200) 60Hz:15fps (2048×1536),30fps (1920 × 1080),30fps (1600 × 1200)
Image Setting	Saturation, Brightness, Contrast adjustable through client software or web browser
Network	
Local Storage	Built-in SD/SDHC Slot, Up to 32GB
Network Storage	NAS(iSCSI optional)
Alarm Trigger	Motion Detection, Video Loss, Network Broken, IP address conflict, Storage exception
Protocols	TCP/IP,HTTP,DHCP,DNS,DDNS,RTP/RTSP, PPPoE, SMTP, NTP (SNMP,HTTPS, SIP, FTP,SRTP,802.1x, IPv6)
Security	Password Protection, Watermark
System Compatibility	ONVIF,PSIA,CGI
Interface	
Audio Input	1 channel microphone input, 3.5mm mini-jack
Audio Output	1 channel 3.5mm audio interface (Line level, 600Ω)
Communication Interface	1 RJ45 10M / 100M self-adaptive Ethernet port and 1 RS-485 interface
Alarm Input	1
Alarm Output	1
Video Output	1Vp-p Composite Output (75Ω/BNC)
Reset Button	Yes
General	
Operating Condition	-10°C -60°C (14°F-140°F), Humidity 90% or less(non-condensing)
Power Supply	DC12V±10% / PoE
Power Consumption	5.5W MAX(10.5W MAX with ICR Working)
Dimensions	68 × 57 × 144.8mm (2.7" × 2.2" × 5.7")

Weight

500g (1.1lbs)

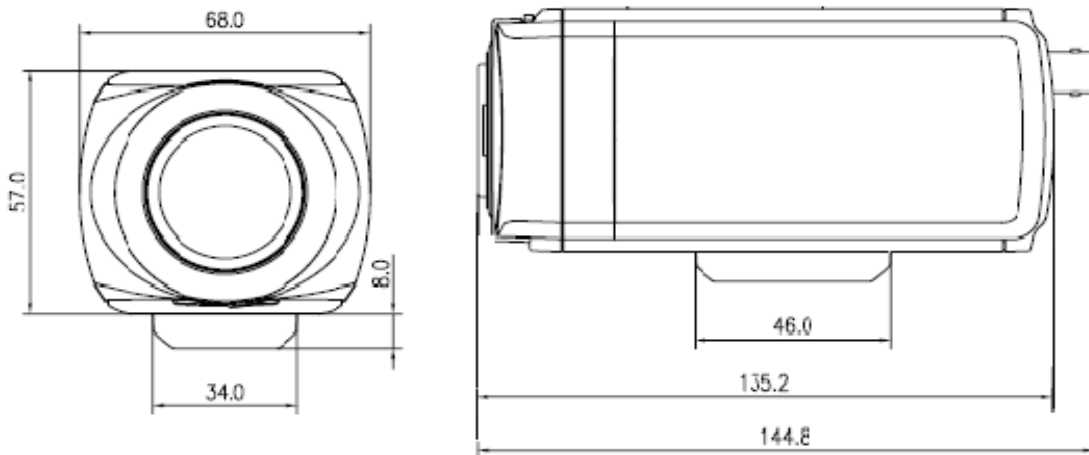
*"W" series supports Wi-Fi (802.11g);

Order Models

DS-2CD854F-E

DS-2CD854F-EW

Dimension



Accessories



Indoor wall mount
DS-1212ZJ



Indoor/Outdoor Wall Mount Bracket
DS-1213ZJ



Indoor/Outdoor camera housing
DS-1311HZ (DS-1312HZ, DS-1313HZ)



Indoor camera housing
DS-1320HZ