

## 3-AXIS INDOOR DOME CAMERA

# SK-D300 SERIES

### Features

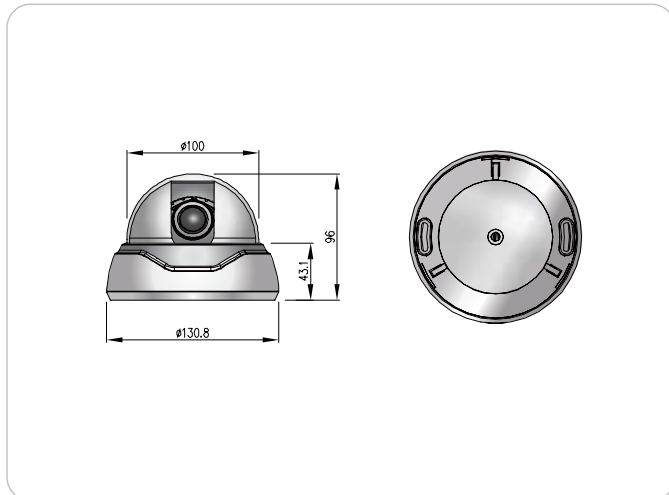
- 3-AXIS Bracket for 3D(Pan/Tilt/Roll) rotation
- 1/3" COLOR SONY SUPER HAD CCD II
- Extra Video connector for easy installation(Except SK-D300/M503)
- Compact size(Ø100)
- Option : WDR, HLC, Motion Detection, Multi-Language OSD, DNR(3D), DIS, Impact Detection, Digital Zoom, RS-485 communication, Sense up, Privacy Zone



INDOOR DOME  
CAMERA

### Dimension

Unit : mm



### Specification

Model	SK-D300/M503	SK-D300/M503AI	SK-D300/M410AI
Image Sensor	1/3" COLOR SONY SUPER HAD CCD II		
Pixel	270K		410K
Scanning	2:1 Interlace		
Sync. Type	Internal		
Resolution	380TV-Line		550TV-Line
Video Output	1.0Vp-p(Sync. Negative) Termination 75Ω		
S/N Ratio	48dB or More(AGC OFF)		
Min. Illumination	0.05Lux(F/1.2)		0.1Lux(F/1.2)
Gamma	γ=0.45 typ.		
Shutter Speed	1/60(1/50) ~ 1/100,000 sec		
White Balance	ATW		
BLC	-		ON/OFF
AGC	AUTO		HIGH/LOW
Lens	Fixed focal lens		Vari-focal auto iris lens
Power Supply	Regulated 12V DC ± 10%		
Current Consumption	Max. 160mA		
Operation Temp.	-10°C ~ 50°C		
Preservation Temp.	-20°C ~ 60°C		
Dimension	Ø130.8x96(H) mm		
Weight	Approx. 400g		

## 3-AXIS INDOOR DOME CAMERA

# SK-D300 SERIES

NEW



INDOOR DOME  
CAMERA

### Specification

Model	SK-D300/M863AI	SK-D300/M763AI
Image Sensor	1/3" COLOR SONY SUPER HAD CCD II	
Pixel	410K	
Scanning	2:1 Interlace	
Sync. Type	Internal	
Resolution	600TV-Line	530TV-Line
Video Output	1.0Vp-p(Sync. Negative) Termination 75Ω	
S/N Ratio	48dB or More(AGC OFF)	
Min. Illumination	0.1Lux(F/1.2)	
Gamma	$\gamma=0.45$ typ.	
Shutter Speed	1/60(1/50) ~ 1/100,000sec	
OSD	YES	
White Balance	ATW/AWC/MANUAL	ATW/AWB/FIXED/MANUAL
Motion Detection	ON/OFF(64 Zone)	
Impact Detection	ON/OFF	-
Privacy Zone	ON/OFF(4 Zone)	ON/OFF(4 Zone)
Backlight	BLC/HLC/OFF	BLC/OFF(Level selectable)
AGC	LOW/MIDDLE/HIGH/OFF	ON/OFF(Level selectable)
Lens	Vari-focal auto iris lens	
Communication (Option)	RS-485 (PELCO-D, PELCO-P)	-
Power Supply	Regulated 12V DC $\pm$ 10%	
Current Consumption	Max. 160mA	
Operation Temp.	-10°C ~ 50°C	
Preservation Temp.	-20°C ~ 60°C	
Dimension	Ø130.8x96(H)mm	
Weight	Approx. 400g	

Model	SK-D300/M945AI	SK-D300/M544AI
Image Sensor	1/3" COLOR SONY Vertical Double Density CCD	1/3" COLOR SONY SUPER HAD CCD II
Pixel	410K	
Scanning	2:1 Interlace	
Sync. Type	Internal	
Resolution	580TV-Line	560TV-Line
Video Output	1.0Vp-p(Sync. Negative) Termination 75Ω	
S/N Ratio	52dB or More(AGC OFF)	
Min. Illumination	Color : 0.001Lux	Color : 0.005Lux
(Sense up)	B/W : 0.0004 Lux	B/W : 0.0009Lux
Sense up	256X	256X
Gamma	$\gamma=0.45$ typ.	
Shutter Speed	1/60(1/50) ~ 1/120,000sec	1/60(1/50) ~ 1/100,000sec
OSD	YES	
White Balance	ATW/AWC/MANUAL/ OUTDOOR/INDOOR	ATW/AWB/INDOOR/ OUTDOOR/MANUAL
Motion Detection	8 Zone/Alarm Output	4 Zone
Privacy Zone	8 Zone	
Backlight	WDR/BLC/HLC/OFF	DWDR/BLC/HLC/OFF
AGC	LOW/HIGH/OFF	LOW/MIDDLE/HIGH/OFF
DNR	OFF/ON(32 Level)-3D	OFF/ON-3D
DIS	ON/OFF	-
Lens	Vari-focal auto iris lens	
Power Supply	Regulated 12V DC $\pm$ 10%	
Current Consumption	Max. 160mA	
Operation Temp.	-10°C ~ 50°C	
Preservation Temp.	-20°C ~ 60°C	
Dimension	Ø130.8x96(H)mm	
Weight	Approx. 400g	