

VANDAL PROOF MINI DOME CAMERA MANUAL



PRECAUTION

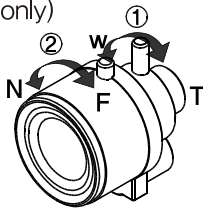
1. Choose an ideal location for the camera, since a camera unit must be protected against moisture and vibration.
2. Be careful not to scratch the camera unit, especially lens or dome cover.
3. Use the camera within the temperature(-10°C ~ +50°C).
4. Handle with care. Dropping it can cause serious damage to the camera.
5. Avoid any direct sun light toward the lens.
6. Use the AC adaptor 12V DC 300mA regulated.



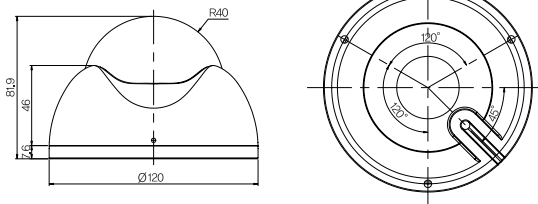
If the product is to be put out of operation definitively, take it to a local recycling plant for a disposal which is not harmful to the environment.

LENS ADJUSTMENT(Vari-focal Lens only)

- ① By turning the "Tele-Wide" knob, you can access a range of focal lengths within specified limits.
- ② Since then, by turning the "Near-Far" knob, you can set the focus toward the wanted object.



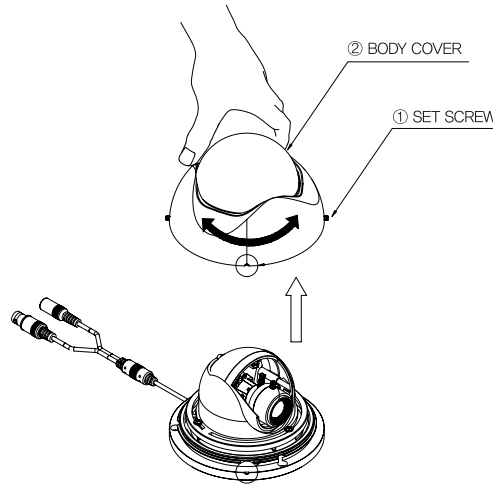
DIMENSION



INSTALLATION

1. Body & Dome cover separation

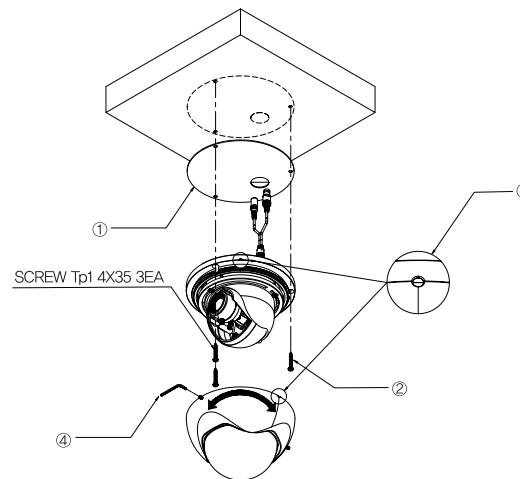
- ① Loosen the set screws by the wrench included.
- ② Turn the body & dome cover left or right, and then open it.



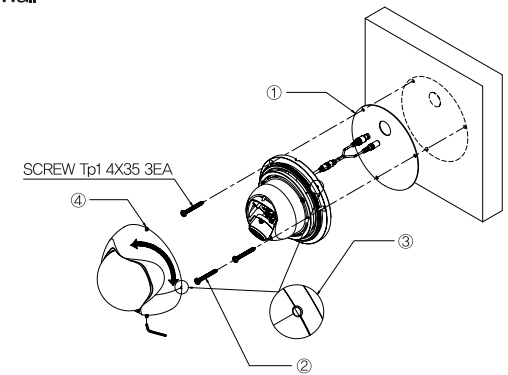
2. Ceiling or wall mount Installation

- ① Put the mount hole label sticker on the ceiling or wall and make holes according to the spots marked on the sticker.
- ② Fasten the screws to fix the base on the ceiling or wall.
- ③ After doing the pan/tilt adjustment as belows, match the groove, and close by turning the body & dome cover left or right.
- ④ Fasten the set screws by the wrench included.

1) Ceiling

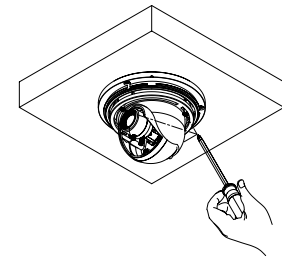


2) Wall



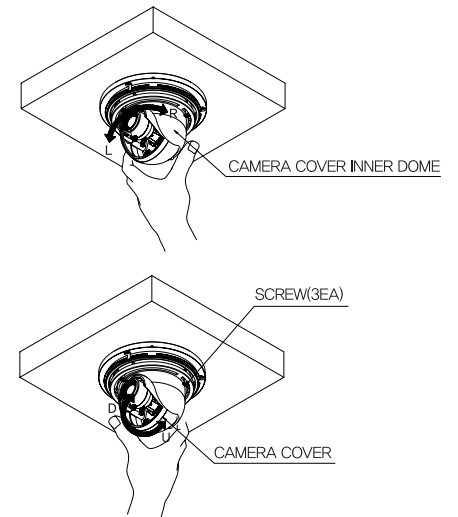
3. Direction adjustment

Loosen the screw(3EA) properly from the cover inner dome.

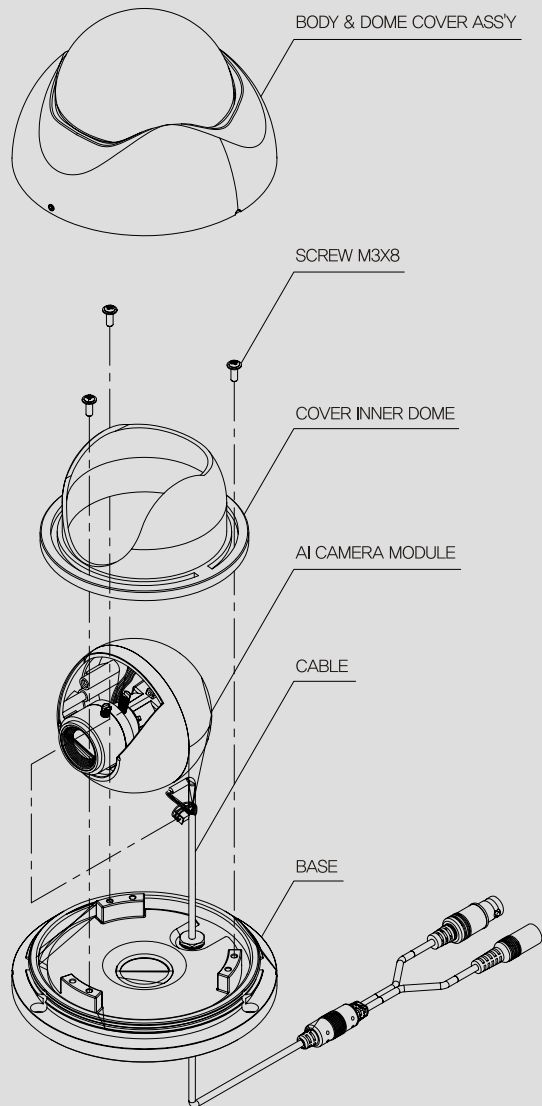


4. Pan/Tilt adjustment

- Grasp the inner dome and adjust the direction to the up, down, left or right to see erect image.
- After adjustment, use the screws(3EA) to fix the inner dome.



ASSEMBLY



SPECIFICATION

STANDARD RESOLUTION COLOR CAMERA

Image Sensor	1/3" COLOR SONY SUPER HAD CCD 1/3" COLOR SONY SUPER HAD CCD II
Effective pixel	510(H) X 492(V) Pixel(NTSC) 500(H) X 582(V) Pixel(PAL)
Cell Size	9,6 μ m(H) X 7,5 μ m(V)(NTSC) 9,8 μ m(H) X 6,3 μ m(V)(PAL)
Horizontal Resolution	380 TV-LINE
TV Type	NTSC/PAL
Sync. Type	Internal
Scanning System	2 : 1 Interlace
Video Output	1,0 Vp-p(Sync, Negative) Termination 75 Ω
Gamma Characteristic	$\gamma = 0,45$ typ.
Min. Illumination	0,1Lux(F/1,2) – SUPER HAD CCD 0,05Lux(F/1,2) – SUPER HAD CCD II
S/N Ratio	45dB or More(AGC OFF) – SUPER HAD CCD 48dB or More(AGC OFF) – SUPER HAD CCD II
Gain Control	Automatic
Shutter	1/60~1/100,000second(NTSC) 1/50~1/100,000second(PAL)
Test Illuminance Area	Average test illuminance by front view
Power Supply	Regulated 12V DC
Consumption Current	Max, 160mA(at 12V DC)
Reverse Polarity Protection	Yes
Lens	Fixed focal Lens or Vari-focal Auto Iris Lens
Operation Temp.	-10 ~ 50°C
Preservation Temp.	-20 ~ 60°C

ADVANCED HIGH RESOLUTION COLOR CAMERA-HQ1

Image Sensor	1/3" COLOR SONY SUPER HAD CCD 1/3" COLOR SONY SUPER HAD CCD II
Effective pixel	768(H) X 494(V) Pixel(NTSC) 752(H) X 582(V) Pixel(PAL)
Cell Size	6,35 μ m(H) X 7,4 μ m(V)(NTSC) 6,5 μ m(H) X 6,25 μ m(V)(PAL)
Horizontal Resolution	550 TV-LINE
TV Type	NTSC/PAL
Sync. Type	Internal
Scanning System	2 : 1 Interlace
Video Output	1,0 Vp-p(Sync, Negative) Termination 75 Ω
Gamma Characteristic	$\gamma = 0,45$ typ.
Min. Illumination	0,5Lux(F/1,2) – SUPER HAD CCD 0,1Lux(F/1,2) – SUPER HAD CCD II
S/N Ratio	45dB or More(AGC OFF) – SUPER HAD CCD 48dB or More(AGC OFF) – SUPER HAD CCD II
Gain Control	Automatic
Shutter	1/60~1/100,000second(NTSC) 1/50~1/100,000second(PAL)
Test Illuminance Area	Average test illuminance by front view
Power Supply	Regulated 12V DC
Consumption Current	Max, 160mA(at 12V DC)
Reverse Polarity Protection	Yes
Lens	Fixed focal Lens or Vari-focal Auto Iris Lens
Operation Temp.	-10 ~ 50°C
Preservation Temp.	-20 ~ 60°C

※ All specification is subject to change without notice to improve quality.