

HIKVISION

DS-2DF1-672

HD Network High Speed Dome

Technical Manual



Notices

The information in this documentation is subject to change without notice and does not represent any commitment on behalf of HIKVISION. HIKVISION disclaims any liability whatsoever for incorrect data that may appear in this documentation. The product(s) described in this documentation are furnished subject to a license and may only be used in accordance with the terms and conditions of such license.

Copyright © 2006-2010 by HIKVISION. All rights reserved.

This documentation is issued in strict confidence and is to be used only for the purposes for which it is supplied. It may not be reproduced in whole or in part, in any form, or by any means or be used for any other purpose without prior written consent of HIKVISION and then only on the condition that this notice is included in any such reproduction. No information as to the contents or subject matter of this documentation, or any part thereof, or arising directly or indirectly therefrom, shall be given orally or in writing or shall be communicated in any manner whatsoever to any third party being an individual, firm, or company or any employee thereof without the prior written consent of HIKVISION. Use of this product is subject to acceptance of the HIKVISION agreement required to use this product. HIKVISION reserves the right to make changes to its products as circumstances may warrant, without notice.

This documentation is provided "as-is," without warranty of any kind.

Please send any comments regarding the documentation to:
overseabusiness@hikvision.com

Find out more about HIKVISION at www.hikvision.com

Contents

1. Key Features
2. Application
3. Specifications
4. Dimension
5. Accessories

1. Key Features

System function:

- 1/3" SONY high performance CCD, with the highest resolution reaching 1280x960
- High-precision motor with sensitive response and reliable movement. Precision bias less than 0.1°. No vibration under any selected speed
- Auto adaptive to HIKVISION, Pelco-P/D protocol in RS-485 control mode
- 3D intelligent positioning function. Through software or DVR, it can realize tracking and enlarging
- OSD menu in multiple languages and operation hint capability
- Power-off protection of setup parameters
- Power-off memory function: restore PTZ & Lens status after reboot
- Lightning protection, surge protection and voltage transient protection capabilities
- Outdoor dome meets IP66 standard

Camera function:

- Auto iris, auto focus, auto white balance, backlight compensation and auto/manual day & night switch

PTZ function:

- 360° endless pan range and -5°-90° tilt range
- Max. pan preset speed of 75°/s and max. tilt preset speed of 50°/s
- Manual pan speed of 0.2° ~75°/s and manual tilt speed of 0.2° ~50°/s
- 256 presets programmable; preset image freezing capability
- 8 patrols, each patrol up to 32 presets
- 4 patterns, with the total recording time not less than 10 min
- Proportional zoom function, with rotation speed adjusted automatically according to zoom multiples
- Park action: auto callup of preset / patrol / pattern / auto scan / random scan / frame scan / panorama scan, after a defined time of inactivity
- 1 alarm inputs and 1 alarm outputs, providing alarm response actions of preset/ patrol/ pattern/ SD card recording/ relay output / notification on client

Network function:

- H.264 video compression and the latest Davinci processing chip and platform, ensuring stable and reliable performance
- Ethernet control and analog signal output
- View and control of video images via IE browser and client software
- SDHC card and SD card
- 3 user levels defined for operation permission

- Dual stream technology
- Multiple network protocols supported: TCP/IP, HTTP, DHCP, DNS, RTP/RTCP, PPPoE (FTP, SMTP, NTP, SNMP addible)
- 1 audio input and 1 audio output

Application

It can be widely used in wide range environments which requires high-definition video quality, e.g. river, forest, highroad, railway, airport, port, oil field, sentry, piazza, park, scenic zone, street, station, venue, and etc.

2. Application

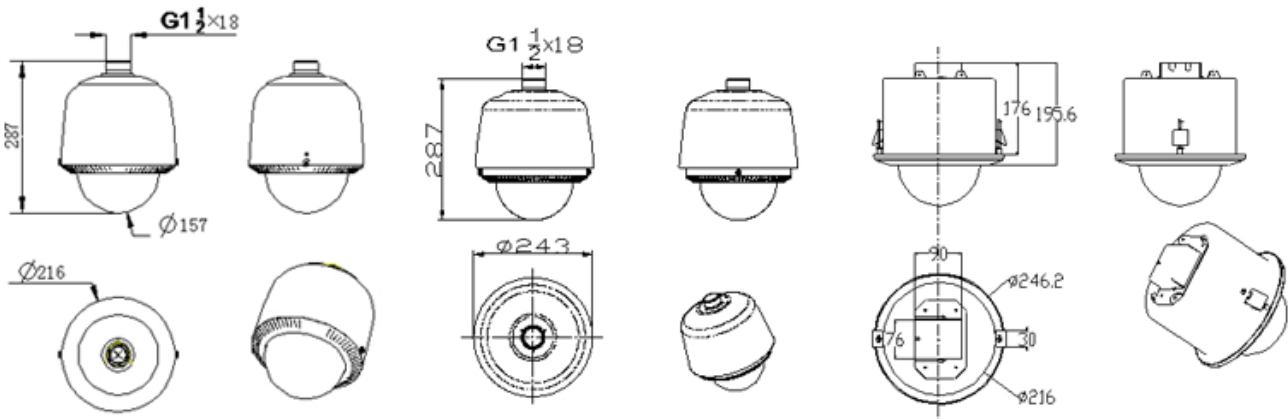
It can be widely used in wide range environments which requires high-definition video quality, e.g. river, forest, highroad, railway, airport, port, oil field, sentry, piazza, park, scenic zone, street, station, venue, and etc.

3. Specifications

Model		DS-2DF1-672
Camera	Image Sensor	1/3 Inch Sony Progressive Scan CCD
	Effective Pixel	1280(H)×960(V)
	Horizontal Resolution	—
	Signal System	—
	Min.Illumination	0.1Lux/F1.6(Color)
		0.01Lux/F1.6(B/W)
	White Balance	Auto / Manual / ATW / Indoor / Outdoor
	AGC	Auto / Manual
	S / N Ratio	More than 50dB
	BLC / WDR	BLC(On / Off)
	Electronic Shutter	1/25~1/100,000s
	Day & Night	ICR
	Digital Zoom	12x
	Privacy Mask	—
Focus Model	Auto / Semiautomatic / Manual	
Lens	Focal Length	4.7-84.6mm, 18x
	Zoom Speed	Approx.2s(Optical Wide-Tele)
	Angle of View	55.2-3.2 degree (Wide-Tele)
	Min. Working Distance	10-1500mm(Wide-Tele)
	Aperture Range	F1.6-F2.8
Pan and Tilt	Pan Range	360°endless
	Pan Speed	Pan Manual Speed: 0.2°~75°/s,
		Pan Preset Speed: 75°/s
	Tilt Range	-5°~90°
	Tilt Speed	Tilt Manual Speed: 0.2°~50°/s,
		Tilt Preset Speed: 50°/s
	Proportional Zoom	Support
	Number of Preset	256
	Patrol	8 patrols, each patrol up to 32 presets
	Pattern	4 patterns, with the total recording time not less than 10 min
	Power-off Memory	Support
Park Action	Preset / Patrol / Pattern / Auto scan / Random scan / Frame scan / Panorama scan	
PTZ Position Display	On / Off	

	Freeze Frame	Support
Alarm	Alarm Input	1 inputs
	Alarm Output	1 relay outputs, alarm response actions option
	Alarm Actions	Preset, Patrol, Pattern, SD card recording, Relay output, Notification on Client
Input/Output	Monitor Output	1.0V[p-p] / 75Ω, NTSC (or PAL) composite, BNC
	Audio Input	Audio input (LINE input), 2-2.4V[p-p]; output impedance: 1KΩ, ±10%
	Audio Output	Line level, impedance: 600Ω
Network	Ethernet	10Base-T / 100Base-TX, RJ45 connector
	Max.Image Resolution	1280×960
	Frame Rate	12.5fps(1280×960), 25 fps (1280×720), 25 fps (640×480)
	Image Compression	H.264
	Audio Compression	OggVorbis / 16kbps
	Audio Mode	Off / Audio input / Audio output
	Protocols	TCP/IP, HTTP, DHCP, DNS, RTP / RTCP, PPPoE (FTP, SMTP, NTP, SNMP addible)
	No. of Simultaneous Users	Up to 6 users
	Dual Streams	Support
	Mini SD Memory Card	Manual REC / Alarm REC. Compatible SDHC Standard Cards
	User/Host Level	3 Levels: Administrator, Camera control, Live only
	Security Measures	User authentication (ID and PW), Host authentication (MAC address)
Client GUI	Camera Control	Pan / Tilt, Zoom, Focus, Click centering, Drag zoom, Iris, Preset position call and program, Auto mode.
	OSD	Up to 18 characters
	Clock Display	Time: Week: Date, 6 formats on the Client
	Reading Patrol Message	Display and reading of preset message contained in each patrol via client software
General	Menu Language	English, Chinese
	RS-485 Protocols	HIKVISION, Pelco-P, Pelco-D (addible), self-adaptive
	Power Supply	24VAC (12V DC option)
	Power Consumption	15W max(30W max with heater, outdoor dome)
	Working Temperature / Humidity	-30 °C~65 °C(outdoor) / -10 °C~50 °C(indoor) 90% or less
	Protection Level	IP66 standard (outdoor dome) TVS 3000V lightning protection, surge protection and voltage transient protection
	Mounting	Various mounting modes option
	Dimension	Φ243(mm)×287(mm)
	Weight (approx.)	5kg
	Mount Option	Wall Mount:DS-1611ZJ(White);Corner Mount:DS-1632ZJ(White); Indoor pendant mount:DS-1651ZJ(White);Ceiling Mount:DS-1642ZJ(White)

4. Dimension



Unit:(mm)

5. Accessories



DS-1611ZJ Long-arm Wall Mount (White)