

## Megapixel Day & Night Vandal Dome Network Camera



### VD-100A Series

- H.264, MPEG-4 and MJPEG Triple Codec Compression
- Simultaneous Dual stream for Optimized Quality and Bandwidth
- Wide View Coverage
- Unique Profile Setting for Variable Environment
- Built-in IR Illuminator LEDs/Removable IR-cut Filter /Auto Light Sensor for Day and Night
- Built-in SD/SDHC Memory Card Slot for Local Storage
- High Power POE
- 3 Axis design
- IP67 Outdoor enclosure Built-in Fan and Heater

### Network Equipments



**PS-588I**  
8-port 10/100M POE Switch

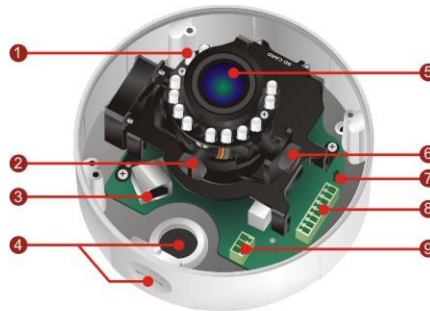


**PS-7242IL-AF**  
24-port 10/100M POE Switch

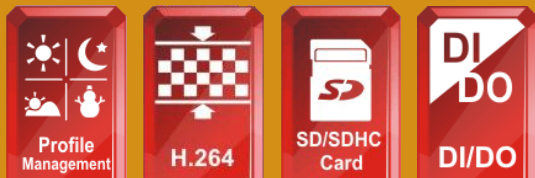
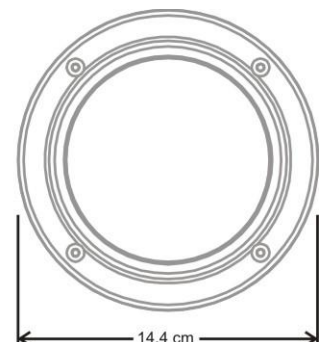
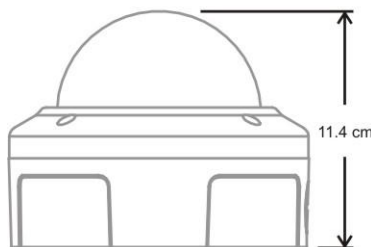


**POE30U**  
PoE Injector

### Dimension Diagram (VD-100Ap Series)



1. IR LED
2. Video Adjust Screw
3. RJ45 Connector (for Ethernet and High Power POE)
4. Conduit Plug and Hole
5. LENS
6. Tilt Screw
7. Reset Button
8. Terminal Block (for Audio in/out, DI/DO)
9. Terminal Block (for Power)
10. Focus Control Bar
11. View Angel Control Bar
12. SD Card Slot



**VD-100A Series**

**Camera**

**Model Number** **VD-100Ae** - Outdoor/ Megapixel/ IR LED/ 2 way Audio/ Ethernet/ POE/ DIDO/ Weather-Proof(IP67)  
**VD-100Ap** - Outdoor/ Megapixel/ IR LED/ 2 way Audio/ SDHC/ Ethernet/ POE/ DIDO/ Weather-Proof(IP67)/ Build in Fan and Heater

**Hardware System** CPU: 500 MHz  
Flash: 16M  
RAM: 128M DDR (\*)

**Image Sensor** Sensor Type : 1/4" CMOS Megapixel Sensor  
Sensor Resolution : 1280 x 800 pixel  
Minimum Illumination : 1 Lux / F1.6 (Without IR LED )  
0 Lux / F1.6 ( With IR LED )

**Lens** Lens Type : Moto-focal with Auto-Iris, IR corrective  
Focal Length: f= 3.3~12 mm, 3.6X  
View Angle (Hor): 63.6° ~17.9° (Ver): 46.5° ~13.5° (Dia): 82.7° ~ 22.4 °

**Day & Night Support** Mechanical ICR and 12pcs IR LEDs, triggered by sensor  
IR distance: 15m  
IR wavelength: 850nm  
Bean Angle: 40°

**Video**

**Video Image Compression** H.264 / MPEG4 / MJPEG

**Video Setting** Auto Exposure Control: Sport, Normal, Night Vision, User Defined  
Auto Gain Control: 1X~5X  
Shutter Speed: 1/24500~1/5s

**Image Resolution** **16:10**  
- 1280 x 800  
- 640 x 400  
- 320 x 392  
**16:9**  
- 1280 x 720  
- 640 x 352  
- 320 x 176  
**4:3**  
- 640 x 480  
- 320 x 240

**Frame Rate at Max. Resolution** H.264: 30 fps  
MPEG4: 15 fps  
MJPEG: 30 fps

**Audio**

**Audio Streaming** Two-way audio support

**Audio Compression** G.711, AMR (8 kHz, Mono, PCM)

**Audio Input** External microphone or line input (Unbalanced, 1.4 Vp-p, 1 Vrms)

**Audio output** Line output

**Network**

**Communication** Ethernet : one 10/100Mbps RJ-45  
Supported Protocols : TCP/IP, UDP, ICMP, DHCP, NTP, DNS, DDNS, SMTP, FTP, HTTP, Samba, PPPoE, UPnP, RTP, RTSP,

**General**

**Interface & Buttons** RJ45 Connector (for Ethernet and POE)  
Terminal block (for Audio in/out, DIDO)  
Terminal block (for Power)  
Embedded SD/SDHC memory card slot (**VD-100Ap**)

**Power input** High Power PoE / DC48V/0.8A

**LEDs** Status (Power/Link)

**Power consumption** Max Power Consumption : 25 watts

**Environment** Water Proof: IP67  
**VD-100Ae**  
Operating Temperature : -20°C ~ 50°C (-4°F ~122°F)  
**VD-100Ap**  
Operating Temperature : -40°C ~ 60°C (-40°F ~140°F), build in fan and heater  
  
Operating Humidity : 10% ~ 80%

**Dimension** 144(D) X 114 (H) mm

**Weight** Net: 1100 g  
Gross: 1430 g

**Certification** FCC, CE

**Warranty** Limited 2-year warranty

**Brickcom Corporation Headquarters**

Address: No.1 Jen Ai Rd, Hsinchu Industrial Park, Hukou, Hsinchu, Taiwan, R.O.C. 303 Tel: + 886-3-5982022 Fax: + 886-3-5982023  
Mail: info@brickcom.com http://www.brickcom.com

(\* These are optional features. Please refer to the Buying Guide for the full list of optional features available for this product.